



Providing Flexible Solutions for Rapid High-Throughput Sample Processing

The HT (High Throughput) Lysing Bead Mill Lab Homogenizer offers efficient solutions for all of your grinding, lysing, pulverizing, mixing and homogenizing sample preparation applications. High-throughput processing is ideal for multiple sample and tube configurations. Easy-to-load tray securely locks the microplate or tube in place. High speed linear motion processes samples quickly. Flexibility to use OHAUS sample tubes or any other brand.

Standard Features Include:

- **Flexibility to Handle Multiple Samples & Tube Configurations**
HT Lysing Homogenizer is one of the most flexible models on the market. Process sample tubes, microplates, deep-well plates, or any format that will fit in the unit's holder—no costly accessories needed.
- **Take the Guesswork Out of Determining Optimum Speed/Time with 5 Pre-Set Programs**
Five preset programs optimized for speed and time helps take the guesswork out of creating the processing speeds and times for the most common samples including bacteria, fungi, plant & animal tissue.
- **Increased Efficiency With High-Throughput Sample Processing**
The HT Lysing Bead Homogenizer allows high-throughput processing, and is ideal for processing multiple tubes, microplates, deep-well plates etc.

HT Lysing Bead Mill Homogenizer

Model	HOHTDG
Speed Range	300 to 1600 rpm (1 rpm increments)
Motion	Reciprocal, 31 mm
Timer	1 second to 10 minutes (1 second increments)
Program 1	5 minutes @ 1500 rpm
Program 2	2 minutes @ 1500 rpm
Program 3	3 minutes @ 1300 rpm
Program 4	4 minutes @ 1500 rpm
Program 5	1 minute @ 1600 rpm
Capacity	1 deep well plate, 4 microplates, or any sample matrix that can fit in the 10.2 × 12.7 × 6.4 cm adjustable holder
Maxamim Capacity	300 g
Working Environment	5°C–40°C, 20%–85% RH, non-condensing
Dimensions (L × W × H)	44.6 × 28.6 × 51.8 cm
Net Weight	34 kg
Ship Weight	54.4 kg

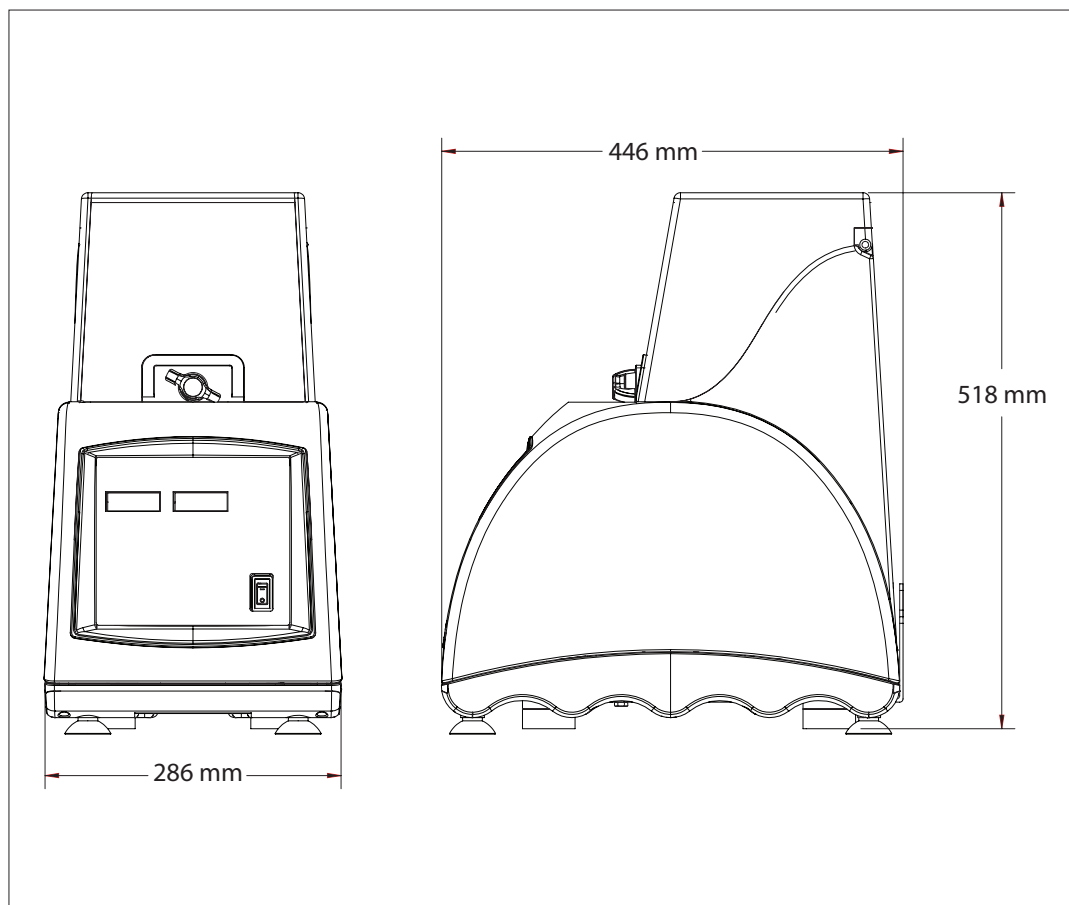
Compliance

- **Product Safety:** EN 61010-1, EN 61010-2-051, CAN/CSA C22.2 61010-1, CAN/CSA-C22.2 61010-2-051, UL 61010-1
- **Electromagnetic Compatibility:** EN/IEC 61326-1, ICES-003, FCC Part 15

Accessories

Lysing skirted tube for bacteria, 2ml, white cap, DNase/RNase free, 100 µm Zirconium Beads, 100/box	30391402
Lysing skirted tube for yeast, 2ml, yellow cap, DNase/RNase free, 400 µm Zirconium Beads, 100/box	30391404
Lysing skirted tube for fungi, 2ml, blue cap, DNase/RNase free, 800 µm Zirconium Beads, 100/box	30391405
Lysing skirted tube for soft sample, 2ml, orange cap, DNase/RNase free, 1.4 mm Zirconium Beads, 100/box	30391406
Lysing skirted tube for plant, 2ml, green cap, DNase/RNase free, 3 mm Zirconium Beads, 100/box	30391408
Lysing skirted tube for animal tissue, 2ml, red cap, DNase/RNase free, 3 mm Stainless Steel Grinding Balls, 100/box	30391409
Lysing skirted tube for environmental sample, 2ml, brown cap, DNase/RNase free, 100 µm/800 µm/3 mm Zirconium Beads, 100/box	30391410
Tube Rack, 25 × 2 ml Tubes, 2 per pack	30391431
Sample Tube Kit, 14 Tubes; 2 each of White, Yellow, Blue, Orange, Green, Red, and Brown	30391433

Dimensions



OHAUS Europe GmbH
Im Langacher 44
8606 Greifensee
Switzerland

e-mail: ssc@ohaus.com
Tel: 0041 22 567 53 19
e-mail: tsc@ohaus.com
Tel: 0041 22 567 53 20

www.ohaus.com

OHAUS Corporation is an ISO
9001:2008 manufacturer

ISO 9001:2008
Registered Quality
Management System

CH16E407

