



ACHIEVER™ 5000

Overhead Stirrers



Reliable Overhead Stirrers with Excellent Performance for Everyday Use

OHAUS Achiever 5000™ Overhead Stirrers are designed for powerful, precise stirring, safety and simplicity in all applications. The sealed design has an IP54 rating and ensures safe mixing performance even in the most demanding applications. The keyless chuck and software controlled speed ramping provide easy set up and safe stirring to protect the sample and user. Select from five models with up to 200 Ncm torque and up to 100 L volume capacity.

Unique Features:

- Powerful mixing and constant speed is assured with the brushless motor and torque compensation technology - delivering accurate, controlled stirring of viscous liquids with quiet operation.
- Simplify set up with the Keyless Chuck - no tools required. Change shafts quickly and easily with one handed operation. This unique design will save time and effort for everyone in the lab.
- Designed for safety. The lock button prevents accidental speed changes and the motor's overload sensing technology simply shuts off stirring before an overload condition occurs to protect the sample.
- Compact and easy to use. Simple knob control combined with the bright digital display allows for precise setting and monitoring. Customize for your application with over 12 accessories.

ACHIEVER™ 5000 *Stirring Shafts*

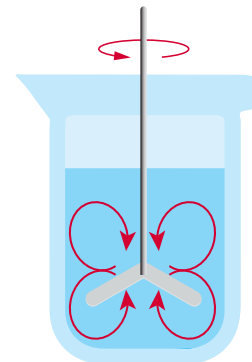


FLOATING BLADE

30586777

Good for narrow neck vessels

| | | | |
|-----------------------|-----------------------|---------------------|--------------|
| Flow | Stir Speed RPM | Viscosity | Blade |
| Radial | 250 – Max | 0 - 1,000 cP | 93 x 11 mm |
| Overall Length | Shaft Diameter | Material | |
| 400 mm | 7 mm | 316 Stainless Steel | |

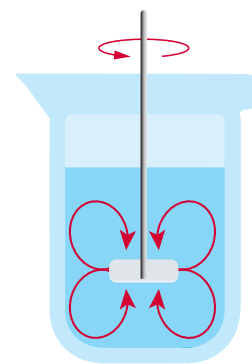


FIXED BLADE

30586776

Good for high speed, low viscosity mixing.
Can create a vortex.

| | | | |
|-----------------------|-----------------------|---------------------|--------------|
| Flow | Stir Speed RPM | Viscosity | Blade |
| Radial | 250 – Max | 0 - 10,000 cP | 50 x 10 mm |
| Overall Length | Shaft Diameter | Material | |
| 400 mm | 7 mm | 316 Stainless Steel | |

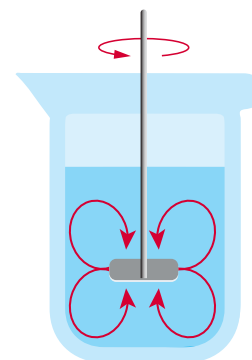


FOLDING BLADE

30586778

Good for narrow neck vessels

| | | | |
|-----------------------|-----------------------|---------------------|--------------|
| Flow | Stir Speed RPM | Viscosity | Blade |
| Radial | 250 – Max | 0 - 1,000 cP | 60 x 15 mm |
| Overall Length | Shaft Diameter | Material | |
| 400 mm | 7 mm | 316 Stainless Steel | |

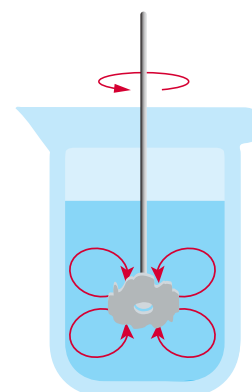


TURBINE

30586781

Teeth break down agglomerations to help
with dispersion. Provides very high shear.

| | | | |
|-----------------------|-----------------------|---------------------|--------------|
| Flow | Stir Speed RPM | Viscosity | Blade |
| Radial | 250 – Max | 1,000 - 100,000 cP | 49 x 10 mm |
| Overall Length | Shaft Diameter | Material | |
| 400 mm | 7 mm | 316 Stainless Steel | |



ACHIEVER™ 5000 *Stirring Shafts*



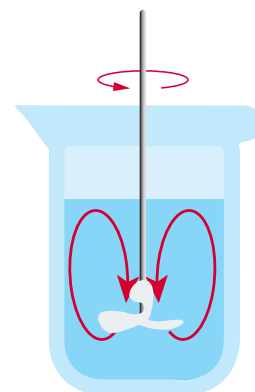
PROPELLER

30586780

Can be used at high speed with medium or high viscosity materials. Excellent mixing properties for homogenization and suspensions.

| | | | |
|-------------|-----------------------|------------------|--------------|
| Flow | Stir Speed RPM | Viscosity | Blade |
| Axial | 250 – Max | 0 - 10,000 cP | 60 x 9 mm |

| | | |
|-----------------------|-----------------------|---------------------|
| Overall Length | Shaft Diameter | Material |
| 400 mm | 7 mm | 316 Stainless Steel |



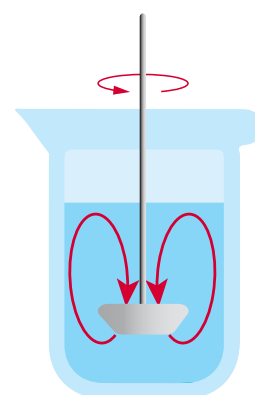
TURBO PROPELLER

30586782

Ring protects dip tubes or sensors in vessel

| | | | |
|-------------|-----------------------|--------------------|--------------|
| Flow | Stir Speed RPM | Viscosity | Blade |
| Axial | 250 – Max | 1,000 - 100,000 cP | 46 x 14 mm |

| | | |
|-----------------------|-----------------------|---------------------|
| Overall Length | Shaft Diameter | Material |
| 400 mm | 7 mm | 316 Stainless Steel |



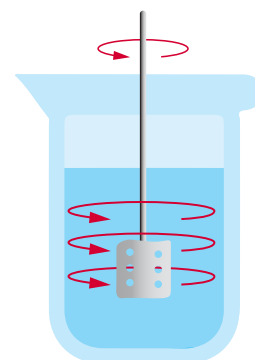
PADDLE, 6 Holes

30586779

For use at low to medium speeds. Ideal for gentle mixing.

| | | | |
|-------------|-----------------------|------------------|--------------|
| Flow | Stir Speed RPM | Viscosity | Blade |
| Tangential | Up to 800 | 0 - 10,000 cP | 69 x 75 mm |

| | | |
|-----------------------|-----------------------|---------------------|
| Overall Length | Shaft Diameter | Material |
| 510 mm | 7 mm | 316 Stainless Steel |



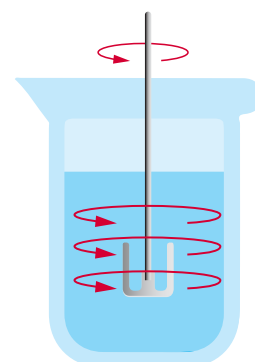
ANCHOR

30586775

Suitable for medium or high viscosity materials. Should be used at low speeds for high viscosity materials.

| | | | |
|-------------|-----------------------|--------------------|--------------|
| Flow | Stir Speed RPM | Viscosity | Blade |
| Tangential | All Speeds | 1,000 - 100,000 cP | 45 x 54 mm |

| | | |
|-----------------------|-----------------------|---------------------|
| Overall Length | Shaft Diameter | Material |
| 400 mm | 7 mm | 316 Stainless Steel |

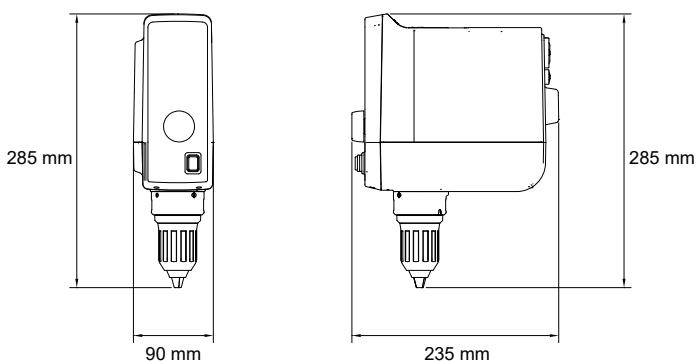


ACHIEVER™ 5000

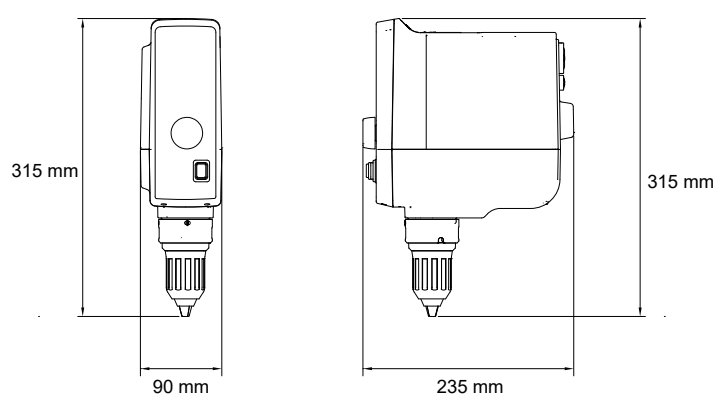
| Model | e-A51ST020 | e-A51ST040 | e-A51ST060 | e-A51ST100 | e-A51ST200 |
|------------------------------------|---------------------------------------|------------|------------|-------------|-----------------------------------|
| Part Number | 30586763 | 30586764 | 30586765 | 30586766 | 30586767 |
| Stirring Speed Range | 30-2000 rpm | | | 30-1300 rpm | 6-400 rpm (I) 30-2000 rpm (II) |
| Stirring Volume (H ₂ O) | up to 25L | | up to 40L | up to 100L | |
| Maximum Viscosity (cP or mPa's) | 10,000 | 25,000 | 50,000 | 70,000 | 100,000 |
| Maximum Torque (Ncm) | 20 | 40 | 60 | 100 | 200 |
| Speed Gears | 1 | | | | 2 |
| Speed Accuracy | 1 rpm | | | | |
| Speed Control | Digital | | | | |
| Display | LED | | | | |
| Timer | Yes | | | | |
| Lock Button | Yes | | | | |
| Chuck Range (Diameter) | 1 - 13 mm | | | | |
| Shaft Pass Through (Diameter) | up to 8.5 mm | | | | |
| Ingress Protection | IP54 | | | | |
| Dimensions (H x L x W) | 28.5 x 23.5 x 9.0 cm | | | | 31.5 x 23.5 x 9.0 cm |
| Net Weight | 4.1 kg | | | | 4.6 kg |
| Power Supply | 230V, 50/60Hz | | | | |
| Power Input | 190W (230V) | | | | |
| Working Environment | 5 °C – 40 °C, 80 % RH, non-condensing | | | | |

Dimensional Drawings

e-A51ST020, e-A51ST040, e-A51ST060, e-A51ST100



e-A51ST200



Other Standard Features & Equipment

Speed accuracy of 1 rpm, sealed housing with IP54 rating, digital display, timer, torque tendency LED indicator, digital speed control, chuck range 1 to 13 mm, pass through shaft diameter up to 8.5 mm, support stand and clamp required for set up (sold separately).

Compliance

- Product Safety: CAN/CSA C22.2 No. 61010-1, CAN/CSA C22.2 No. 61010-2-051, EN 61010-1, EN 61010-2-051, IEC 61010-1, IEC 61010-2-051, UL 61010-1, UL 61010-2-051
- Electromagnetic Compatibility: EN 61326-1: 2013 Class A Industrial Environment; Canada ICES-003 Class A; FCC Part 15 Class A
- Compliance Marks: CE; RCM; cNus; WEEE; CN RoHS

Accessories

| | |
|----------------------------------|----------|
| Support Stand Universal-H | 30586771 |
| Support Stand Telescopic-H | 30586772 |
| Clamp Double | 30586773 |
| Clamp Ribbon | 30586774 |
| Chuck Cover e-A51 | 30586842 |

A new set up requires: an Achiever unit, a Support Stand, a Clamp Double to secure the unit to the stand, and the appropriate Stirring Shaft that suits the application.

OHAUS Europe GmbH
Heuwinkelstrasse 3
8606 Nänikon
Switzerland

e-mail: ssc@ohaus.com
Tel: 0041 22 567 53 19
e-mail: tsc@ohaus.com
Tel: 0041 22 567 53 20

www.ohaus.com

OHAUS Corporation is an ISO 9001:2008 manufacturer

ISO 9001:2008
Registered Quality
Management System

CH16B065

