



Incubating Cooling Orbital Shakers



Save Incubator Space with Benchtop Orbital Shakers

OHAUS Incubating Cooling Orbital Shakers are designed to incubate samples from 10°C below ambient to 65°C. Incubating Cooling Shaker is designed to hold two microplates or two optional modular tube blocks in a variety of configurations. All models feature touchpad controls with easy-to-read, independent LED displays for temperature, speed and time. Microprocessor control provides consistent uniform shaking action.

Standard Features:

- **Microprocessor-Controlled for Consistent Shaking Action**
The variable speed microprocessor control provides consistent, uniform shaking action. The microprocessor will display the last setpoint and will restart if power is interrupted.
- **Triple Eccentric Drive Provides Reliable Service and Continuous Duty**
Triple eccentric drive with permanently lubricated ball bearings and maintenance-free brushless DC motor provides reliable service and continuous duty operation.
- **Safety Features Include Speed Ramping and Overload Protection**
Unit slowly increases speed to desired setpoint to avoid splashing and features overload protection. Audible and visual signals activate when the system detects an obstruction or tray overload.

Incubating Cooling Orbital Shakers

Model	ISICMBCDG
Control	Digital
Motion	Orbital, 3 mm
Speed Range	100 – 1200 rpm
Speed Accuracy	± 2%
Temperature Range	10 °C below ambient – 65 °C
Temperature Uniformity	± 0.5 °C at 37 °C
Timer	1 second – 160 hours
Capacity	2 Microplates or 2 Modular Blocks
Working Environment	5 °C – 40 °C, 80% Relative Humidity, non-condensing
Drive System	Brushless DC Motor; Triple Eccentric
Overall Dimensions (L × W × H)	419 × 257 × 279 mm
Net Weight	13.4 kg
Power	230V, 1A, 50/60Hz
Power Consumption	160 W

Other Standard Features and Equipment

Caution hot indicator, detachable 3-wire cord and plug (included)

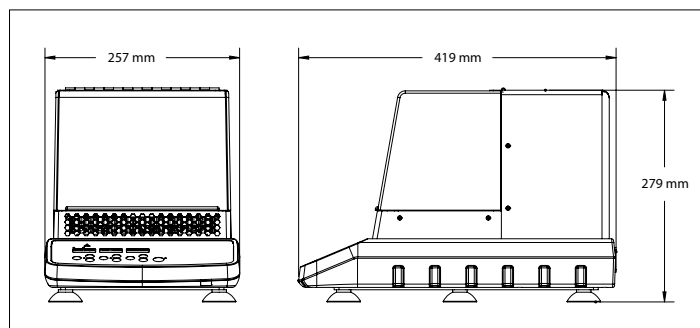
Compliance

- **Product Safety:** EN 61010-1, EN 61010-2-010, EN 61010-2-051
- **Electromagnetic Compatibility:** EN 61326-1 Class A, Industrial Environments
- **Compliance Marks:** CE; RCM; TÜV SÜD

Applications

Immunoassays, hybridizations, cell cultures, bacterial and yeast cultures and suspensions, ELISA assays, PCR, enzyme reactions

Dimensions



Accessories

Item No.	Description	Max. per Shaker	No. of Wells	Well Diameter (mm)	Well Depth (mm)
30400151	Module Block for 10 mm Ø Test Tubes	2	24	10.7	48.4
30400152	Module Block for 12/13 mm Ø Tubes	2	20	13.9	48.4
30400156	Module Block Combination	2	14	26.2; 13.8; 8.3	48.4
30400157	Module Block for 0.5 mL Microtaper	2	30	7.9	27.6
30400158	Module Block for 6 mm Ø Test Tubes	2	30	8.3	48.4
30400159	Module Block for 1.5 mL Microtaper	2	20	11.1	39.1
30400168	Module Block for 50 mL Conical Centrifuge Tubes	2	5	29	47.6
30400172	Module Block for 15 mL Conical Centrifuge Tubes	2	12	17.1	44.5
30400182	Module Block For Vials 12 mm Ø	2	20	12.7	30
30400183	Module Block For Vials 15 mm Ø	2	20	15.8	35
30400184	Module Block For Vials 17 mm Ø	2	12	17.8	45
30400185	Module Block For Vials 19 mm Ø	2	12	19.7	45
30400186	Module Block For Vials 21 mm Ø	2	9	21.7	45
30400187	Module Block For Vials 23 mm Ø	2	8	23.8	45
30400188	Module Block For Vials 25 mm Ø	2	8	25.8	45
30400189	Module Block For Vials 28 mm Ø	2	6	28.8	45
30400190	Module Block For Vials 16 mm Ø	2	15	16.4	45
30400191	Module Block for 2.0 mL Tubes	2	20	11.5	38.1
30400193	Module Block Combo, 50 mL, 15 mL, 1.5 mL	2	9	29; 17.1; 11.1	47.6; 44.5; 39.1
30400194	Module Block Combo—Micro Tube	2	21	11.5; 11.1; 7.9	38.1; 39.1; 27.6

OHAUS Europe GmbH

Im Langacher 44
8606 Greifensee
Switzerland

e-mail: ssc@ohaus.com
Tel: 0041 22 567 53 19
e-mail: tsc@ohaus.com
Tel: 0041 22 567 53 20

www.ohaus.com

The management system governing the manufacture of this product is ISO 9001:2015 certified.

CH16E185

