



Traveler™ Series

Portable Electronic Balances



Designed for basic weighing in Educational applications

The OHAUS Traveler™ Series was designed with a unique draftshield that offers weigh-thru capability while being used and 'stackability' when being stored. With the right combination of performance and features, the Traveler is great value for your basic weighing applications.

Standard Features Include:

- **Weigh-Thru Draftshield** – Traveler's unique draftshield was designed with an easy to remove center piece – that provides protection from rough environments while maintaining weighing speed
- **Stackable Draftshield** – Traveler's unique draftshield was designed with storage in mind, and allows the balances to be stacked away when not in use. The draftshield's center piece can also be removed and converts into a weigh boat when turned upside down!
- **USB or RS232 Connectivity** – Traveler was designed with easy-to-install interface options, which provide weight output to an OHAUS printer or PC
- **Battery or AC Power** – Uses 4 "AA" batteries with auto shut-off, or can be run on the included AC powerpack

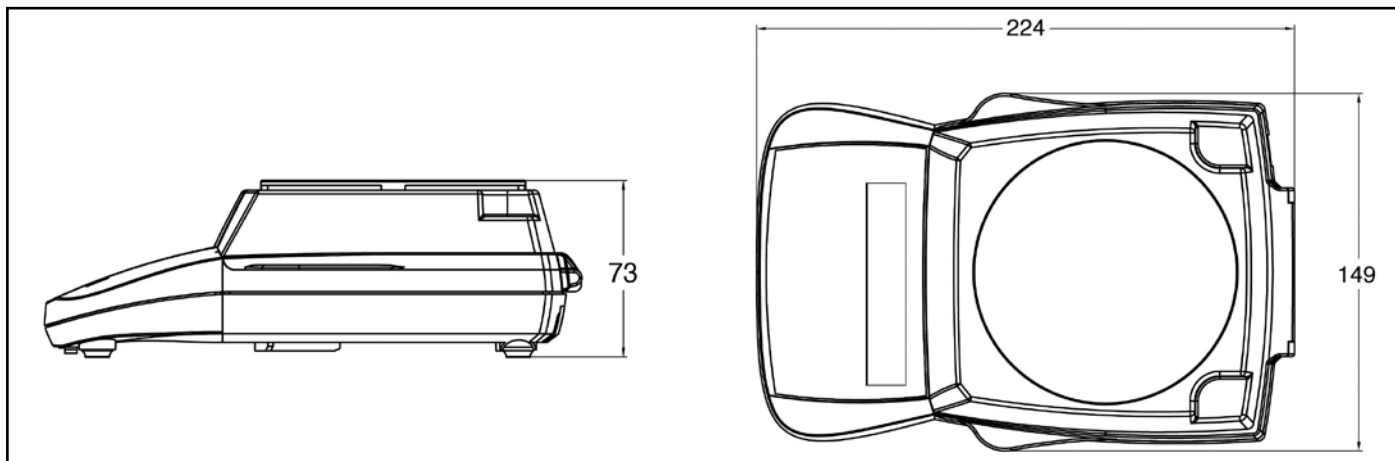
Traveler™ Portable Electronic Balances

Specifications

Model	TA152*	TA302*	TA502	TA301*	TA501	TA1501	TA3001	TA5000
Capacity (g)	150	300	500	300	500	1500	3000	5000
Readability (g)	0.01			0.1				1
Linearity	± 1 d							
Repeatability (std. dev.) (g)	0.01	0.01	0.01	0.1	0.1	0.1	0.1	1
Span Mass (g)	100	200	300	200	300	1000	2000	3000
Linearity Mass (g)	100 150	200 300	300 500	200 300	300 500	1000 1500	2000 3000	3000 5000
Weighing Units	Gram, Newton							
Tare Range	To capacity by subtraction							
Stabilization Time (sec)	< 3							
Pan Size (mm)	120 dia.					120 x 135		
Display Size W x H (mm)	84 x 17							
Operating Temperature Range	50° - 104°F / 10° - 40°C							
Power Requirements	AC Adapter (included) or 4 AA Batteries (not included)							
Dimensions W x H x D (mm)	149 x 73 x 224 (to top of draftshield)							
Operating Humidity Range	30%-90%							

* These models are supplied with span calibration mass

Outline Dimensions



Standard Features

Additional standard features include Grams and Newton weighing units, weigh-below hook, integral transportation lock and calibration lockout, rear security loop, programmable Auto Shut-Off, A/C adapter and calibration mass (*models below 500g only*)

Optional Accessories

	OHAUS Number
Secondary display with backlight	80251395
RS232 communication accessory	72206287
USB communication accessory	71147377
Calibration masses.....	Contact OHAUS for Full Offering
Security device.....	80850000
STP103 Thermal Printer - UK	80251194
STP103 Thermal Printer - EU	80251993
SRP275-GB Impact Printer.....	80251989
CBM910 Impact Printer - EU	80252043

Industry Leading Quality and Support

All OHAUS Traveler™ balances are manufactured under an ISO 9001 Registered Quality Management System. Our rugged construction and stringent quality control have been hallmarks of all OHAUS products for over a century.

www.ohaus.com

* ISO 9001:2008
Registered Quality Management
System

80774312_A © Copyright Ohaus Corporation

